



Key Features

• 7-inch Screen:

The main monitor has a large, 7-inch wide screen that clearly shows each visitor's face.

• One-touch Voice Change Function:

This unique safety feature makes the voice heard at the doorphone sound deeper so that a female voice sounds like a male voice. The voice change function can be activated with one touch of a button from the main monitor during an incoming call.

• Electric Lock Release Support:

The door lock can be easily and quickly released from the e-lock release button on the monitor during an incoming call, or while talking or monitoring.

• Picture Recording Function:

The main monitor can record up to 50 still images from doorphone calls and monitoring sessions. (Up to 50 sessions [up to 4 still images per session])

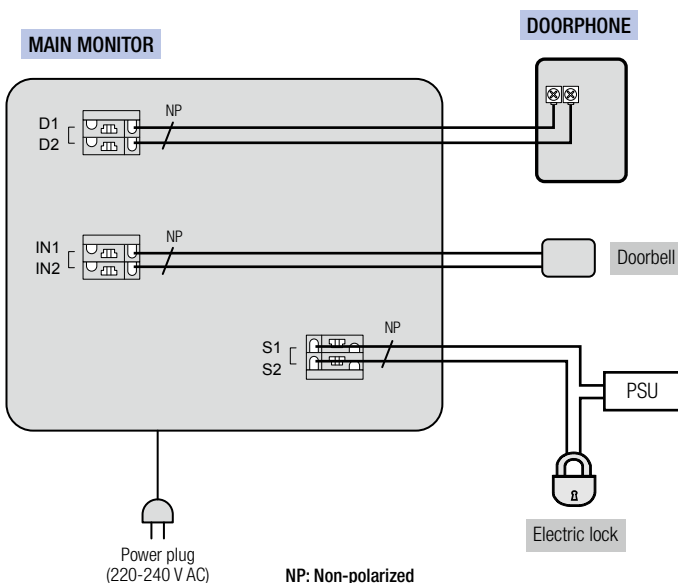
• Night Vision with LED Lighting:

The doorphone is equipped with LED lighting that enables visitors at a distance of about 50 cm to appear in colour, even when it is dark.

• Easy-to-use:

The ringtone can easily be muted and the volume increased/decreased from the ring volume button on the main monitor, as needed.

Wiring Schematic Diagram



Wire type and length

Wiring run	Wire type*1	
	Diameter	Length (Max.)
Doorphone – Main monitor	φ 0.65 mm 22 AWG	100 m
	φ 1.0 mm 18 AWG	130 m
	φ 0.5 mm CAT 5	50 m
Main monitor – Electric lock*2	φ 0.5 mm - φ 1.2 mm (24 AWG - 17 AWG)	According to the specification of connected device.
Main monitor – Doorbell	φ 0.5 mm - φ 1.2 mm (24 AWG - 17 AWG)	According to the specification of connected device.

*1 Type: Single-pair cable with outer sheath (jacket)

Conductor: Copper solid

- A certified power supply wiring has to be used with this equipment. The relevant national installation and/or equipment regulations shall be considered. A certified power supply wiring not lighter than ordinary polyvinyl chloride flexible wiring according to IEC 60227 shall be used.

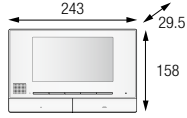
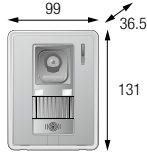
*2 When using an electric lock or a connection device for option input (A contact), select a device that meets the following guidelines:

- Electric lock connection terminal (S1/S2):
 - N/O dry closure contact
 - 30 V AC (1 A)/24 V DC (1 A) or lower
- Connection device for option input (A contact) terminal (IN1/IN2):
 - Input method: No-voltage contact
 - Open-circuit voltage between terminals: DC 7 V or less
 - Detection definite time: 0.1 seconds or more
 - Short-circuit between terminals: 5 mA or less
 - Resistance value: make: 500 Ω or less, break: 15 KΩ or more

Model Composition

VL-SV70	VL-MV70 x 1, VL-V522L x 1
---------	---------------------------

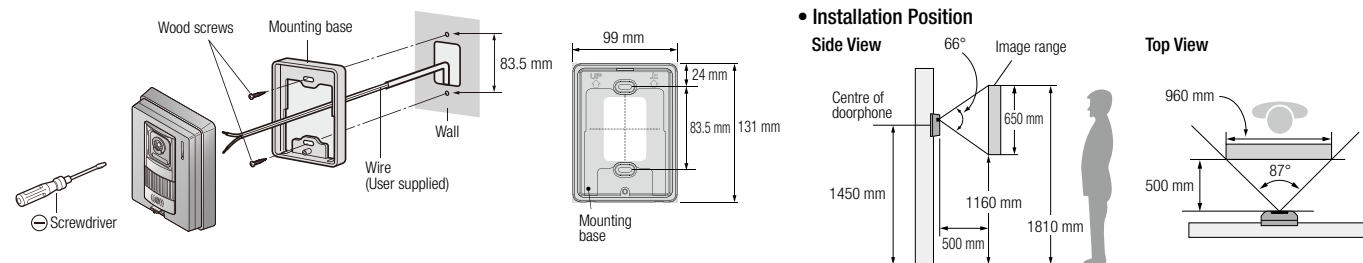
Specifications

Model number and name	VL-MV70	VL-V522L
	Main Monitor Station (Main monitor)	Door Station (Doorphone)
Dimensions (mm)		
Power source	220-240 V AC, 50/60 Hz	Power supplied by the main monitor
Power consumption	Standby: 2.0 W Operating: 10.5 W	-
Weight	VL-MV70 BX / VN: 760 g*1 VL-MV70 CX / CX1: 810 g*1 VL-MV70 SX: 780 g*1	200 g
Operating environment	Ambient temperature: Approx. 0 °C to +40 °C Relative humidity (non-condensing): up to 90 %	Ambient temperature: Approx. -15 °C to +55 °C Relative humidity (non-condensing): up to 90 % (tested up to -20 °C)
Display	7-inch wide colour / WVGA (800 x 480 pixels)	-
Display language	English, Arabic, Vietnamese	-
Talking method	Hands-free	-
Viewing angle	-	Horizontally: Approx. 87° Vertically: Approx. 66°
Image sensor (pixel)	-	CMOS sensor (Approx. 0.3 M pixels)
Installation method	Wall mount (mounting bracket supplied)	Surface mount (mounting base supplied)
Minimum illuminance required	-	1 lx (within approx. 50 cm from the camera lens)
Lighting method	-	Warm white coloured LED lights, Infrared LEDs
IP rating / IK rating	-	IPX3*2
External material	Flame retardant ABS resin	Flame retardant ABS resin

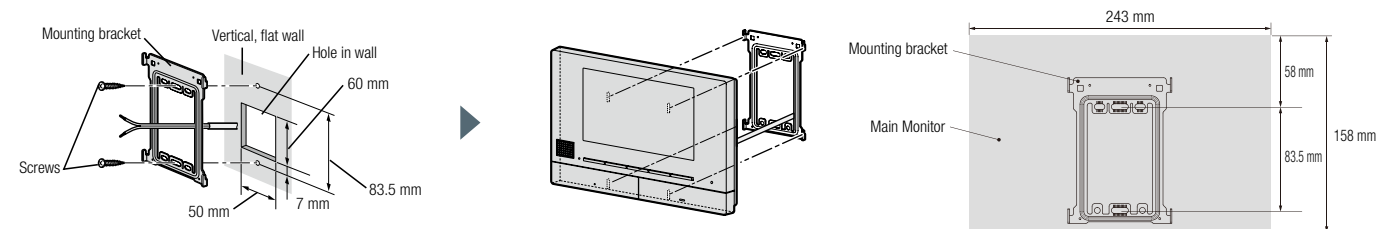
*1 Including AC cord. The weight of the AC cord differs depending on the region.

*2 Water resistance is only assured if the doorphone is installed correctly according to the instructions in the Installation Guide, and appropriate water protection measures are taken.

Installing the Doorphone



Installing the Main Monitor/Extension Monitor



Trademarks and registered trademarks

- The software of these products are based in part on the work of the Independent JPEG Group.
- All other trademarks identified herein are the property of their respective owners.

Important

- Safety Precaution: Carefully read the operating instructions and installation manual before using this product.
- This system is not designed to provide complete protection from property loss. To the maximum extent permitted by applicable law, Panasonic will not be held responsible for any damage incurred as a result of property loss.
- When using the product, please take into consideration the rights of others with regard to privacy and rights of portrait.

- Actual products may vary slightly from photographs.
- The quality of doorphone images may change depending on the installation environment, lighting conditions, etc.
- Weights and dimensions are approximate.
- Design and specifications are subject to change without notice.
- These products may be subject to export control regulations.

DISTRIBUTED BY :

Panasonic[®]